

Basin



PATENTED

REGISTERED DESIGN



NANO 6.7

► A revolution in basin waste and traps which maximises space and reduces installation time.

NANO 6.7

A CONCENTRATE OF TECHNOLOGY



Quick Clac
with overflow



Quick Clac



Free Flow



Quick Clac
100mm

NANO 6.7 is a full range of basin WASTE + TRAP combinations designed to satisfy the demands of plumbers and end users:

- TIME SAVING WITH QUICK ASSEMBLY
- SPACE SAVING
- EASY-TO-CLEAN FROM ABOVE



ULTRA COMPACT

Macdee
wirquin

SANITARY EQUIPMENT SPECIALIST

► The benefits of **NANO 6.7**



TIME SAVING: quick installation without tools

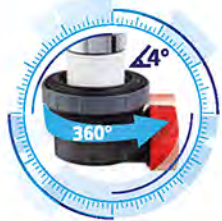


THE 'QUICK SAFE' FUNCTION:

- captive nut with quarter-turn operation
- overmoulded washer for total reliability against leaks



- ### CLIP THE BODY
- of the waste into place: quick, easy installation - you can do it blind and with one hand



360° SWIVEL AND $\pm 4^\circ$ TILT:

- compensates for alignment faults
- takes pressure off the pipes

Assembly process:



SPACE SAVING: takes up 3 times less space than a classic waste



ULTRA-COMPACT:

- only 6.7 cm high
- more space under the basin



HYGIENIC: quick and easy to clean



'TOP CLEAN' SYSTEM:

- trap accessible from above
- clear glass lens for visibility



WATERLESS MEMBRANE TRAP:

- replaces traditional water seal for an unrivalled performance
- guaranteed 100% anti-odour
- guaranteed 100% anti-siphoning problems



► The technical specifications of **NANO 6.7**

	Description	Material	Colour
1	Lens	Glass	Transparent
2	Quick-clac plug	Brass	Chrome-plated
3	Handle	PP	White
4	Quick-clac system	Brass	Uncoated
5	Membrane cartridge	PP	Red
6	Membrane	Silicon	Grey
7	Waste inlet	Brass	Chrome-plated
8	Uncapped waste body*	ABS	White
9	Washer	EVA	White
10	Kneecap nut	PP	Grey
11	Quarter-turn nut	PP	Red
12	Overmoulded washer	Elastomer	Grey
13	Body	PP	Opalescent grey

* Waste body can be uncapped to suit installation

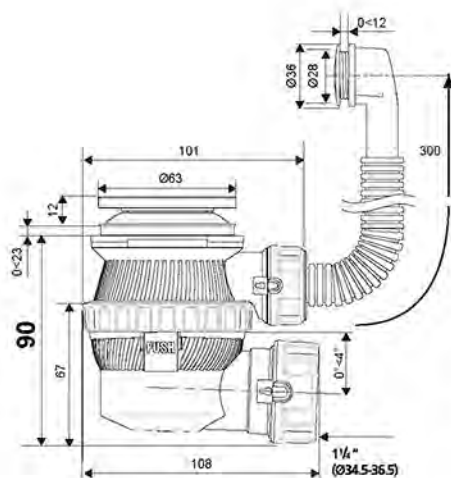


TECHNICAL CHARACTERISTICS	
FLOW RATE L/min	30L/min (complies with standard requirements)
FLOW RATE OF OVERFLOW (L/min) (for model with overflow)	15L/min (complies with standard requirements)
DEPTH OF SEAL	Silicone membrane
HEIGHT UNDER BASIN	67 mm 90 mm (for model with overflow)
OUTLET	ø34.5 - 36.5 captive 1/4 turn nut
OPENING SYSTEM	Quick-Clac or Fixed dome (for free-flow model)

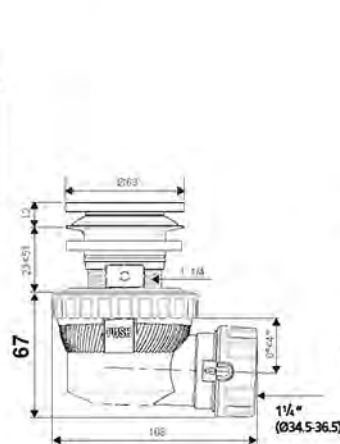
Up to
224mm



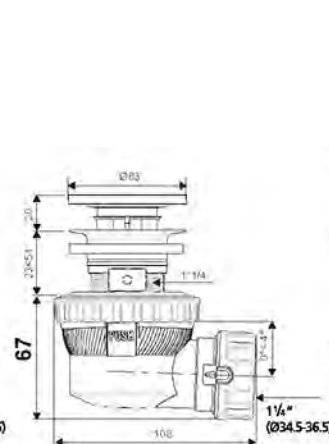
67mm



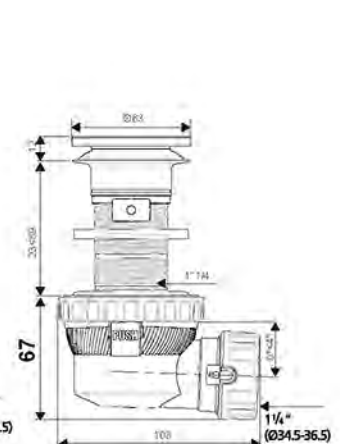
**Quick Clac
with overflow**



Quick Clac



Free Flow



**Quick Clac
100mm**

A full range for all basin configurations



Quick Clac
with overflow

Quick Clac

Free Flow

Quick Clac
100mm

POINT OF SALE:

FREE WITH AN ORDER OF A CARTON OF NANO 6.7:

- Limited to 1 per customer
- Includes a pre-fitted Nano 6.7
- 380 x 280 x 180mm
- Code: 30120337



DESCRIPTION	NANO 6.7 QUICK CLAC	NANO 6.7 FREE FLOW	NANO 6.7 QUICK CLAC 100MM	NANO 6.7 QUICK CLAC WITH OVERFLOW
REFERENCE	30120333	30120334	30120335	30120336
EAN CODE	5017134133288	5017134133295	5017134133301	5017134133318
PACKAGING	BOX	BOX	BOX	BOX
MULTIPLE	01/12	01/12	01/14	01/14

M026-09/2016