

# ALL IN ONE BOTTLE TRAP

## Universal Bottle Trap



- > All in one outlet: The only universal bottle trap that fits all sink and basin outlets
- > Compact design including the 50mm water seal: Space saving and complies with British regulations
- > Complete solution including the Quick Clac waste: A convenient and modern solution

# ALL IN ONE BOTTLE TRAP

## ► Universal Bottle Trap



**> Universal push-fit connection:**  
It allows a quick tool free installation for  $\varnothing 32-43\text{mm}$  pipe dimensions.



**> No seal required:**  
Integral seals reduce risk of seals by 50%.



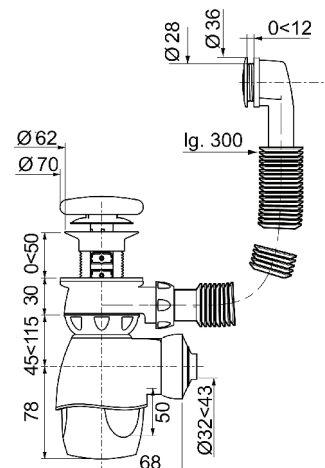
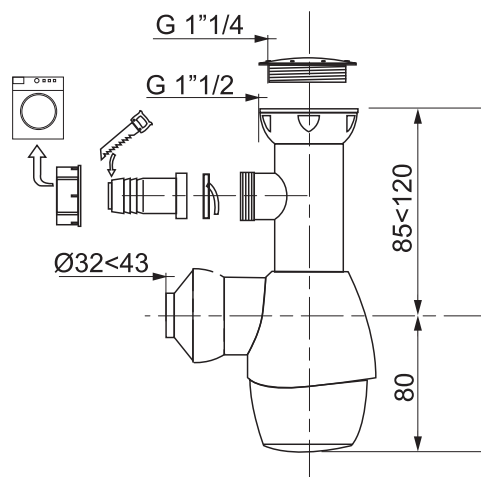
**> Quick Clac waste options:**  
Open and close the waste with a simple click.



**> 5 year guarantee:**  
Proof of an outstanding level of quality.

### TECHNICAL CHARACTERISTICS

Water seal depth	50mm
Waste fitment	1 1/4" & 1 1/2"
Outlet diameter	$\varnothing 32\text{mm}$ to $\varnothing 43\text{mm}$
Locking height of waste	0mm to 80mm
Height adjustment of plunger tube	45mm to 115mm
Flow rate with a 1 1/4" pipe connection	40.6L/min (35% higher than the standard regulations)
Flow rate with a 1 1/2" pipe connection	47.6L/min (68% higher than the standard regulations)
Quick clac waste dome material	ABS
Overflow tube length	300mm adjustable



DESCRIPTION	ALL IN ONE BOTTLE TRAP	ALL IN ONE BOTTLE TRAP WITH CHROME PLATED QUICK CLAC WASTE	ALL IN ONE BOTTLE TRAP WITH APPLIANCE SPIGOT	ALL IN ONE BOTTLE TRAP WITH EXTERNAL OVERFLOW & WHITE QUICK CLAC WASTE
REFERENCE	31180002	30717371	31190002	30717367
EAN CODE	3375537140435	3375537173730	3375537140442	3375537173693
PACKAGING	Bag	Bag	Bag	Bag
MULTIPLE/BOXED QUANTITY	01/60	01/36	01/40	01/24

M011-05/2016