

**PRO****Professional Quality**

VENISIO

Floor trap for walk-in showers



PRO TECHNOLOGY

- ▶ **Adjustable booster in height :**
 - from 33 to 100 mm for stainless steel grid version,
 - from 43 to 114 mm for tileable grid version.
- ▶ **Delivered with a sealing flap, 750 x 750 mm.**
- ▶ **Outlet:** Female $\text{\O} 40 - 1 \frac{1}{2}''$.
- ▶ **Flow rate:** up to 57 L/min.
- ▶ **Available in 3 versions:**
 - with or without grid,
 - with tileable grid.

PRO QUALITY



Conform to EN standards

PRO SERVICES



Technicians at your service

HOTLINE 01934 733320

WEBSITE www.wirquin.com



PRO WHY CHOOSE WIRQUIN'S VENISIO ?

Venisio, floor trap for walk-in showers is the ideal solution for new build and renovation.

PERFORMANCE

- Flow rate up to 57 L/min depending on the model installed.
- 50 mm of depth of seal.

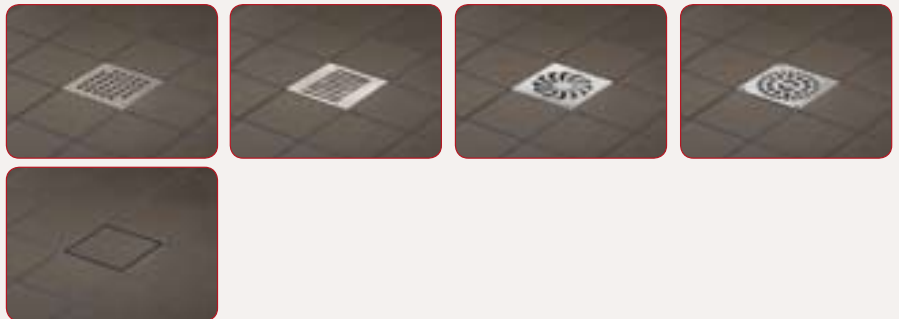
SAFETY

To provide optimum sealing, the product is delivered with a sealing flap, dimension 750 x 750 mm.

TRENDY

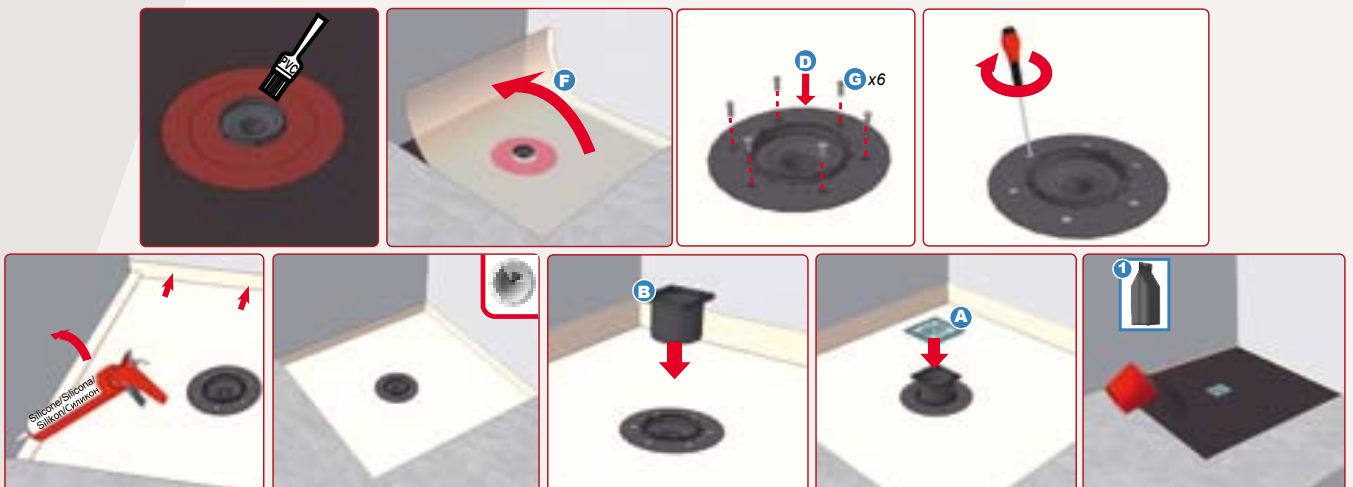
- Designer brushed stainless steel grid.
- Dimensions: 150 x 150 mm.

- Tileable grid solution:






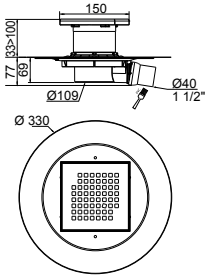
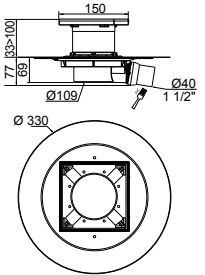
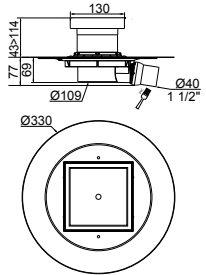
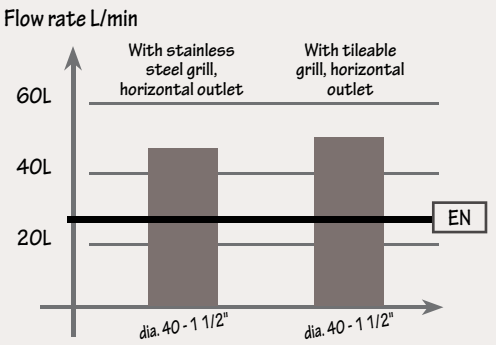



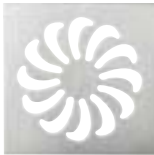


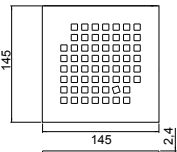
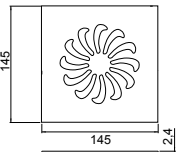
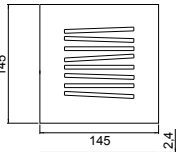
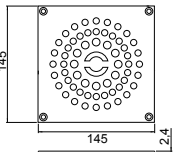
INSTALLATION

- To avoid the sealing flap getting in the way when the mortar is being poured, this is not assembled on the product straight away. It is fitted when the mortar has been poured.

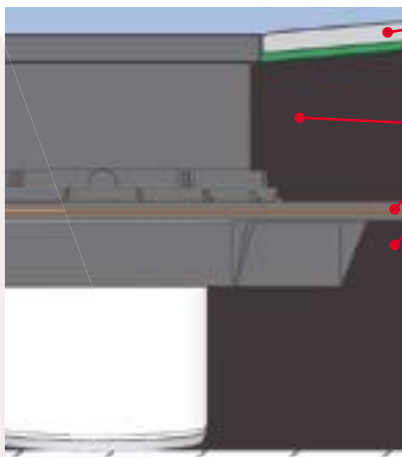


TECHNICAL CHARACTERISTICS

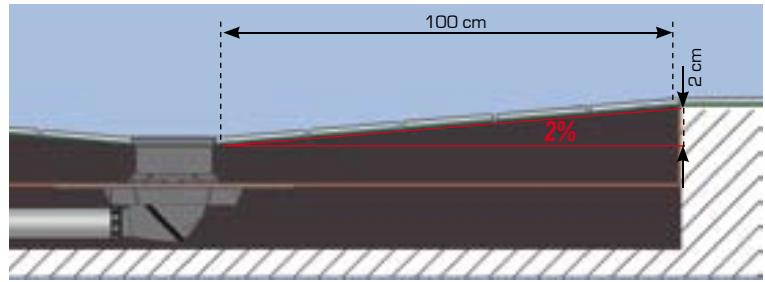
	Stainless steel grid solution		Tileable grid solution
Model			
Material	<p>Stainless steel grid and its PET installation cover</p> <p>Polypropylene cup</p> <p>Polypropylene dome</p> <p>Height adjuster in ABS</p> <p>Upper flange in ABS</p> <p>Polypropylene sealing flap (750 x 750 mm)</p> <p>Lower flange in ABS with its trap</p> 		<p>PET installation cover</p> <p>Tileable grid</p> <p>Polypropylene cup</p> <p>Polypropylene dome</p> <p>Height adjuster in ABS</p> <p>Upper flange in ABS</p> <p>Polypropylene sealing flap (750 x 750 mm)</p> <p>Lower flange in ABS with its trap</p> 
Water seal	50 mm		
Connection	Ø 40 - 1 1/2"	Ø 40 - 1 1/2"	Ø 40 - 1 1/2"
Technical drawing			
Flow rate	<p>Flow rate L/min</p>  <p>With stainless steel grill, horizontal outlet</p> <p>With tileable grill, horizontal outlet</p> <p>EN</p> <p>dia. 40 - 1 1/2"</p> <p>dia. 40 - 1 1/2"</p>		

Model				 Lockable grid with stainless steel fixing screws
Material	Stainless steel			
Technical drawing				

PRO INSTALLATION



Tiling
Tiling glue
Sealing flap
Mortar



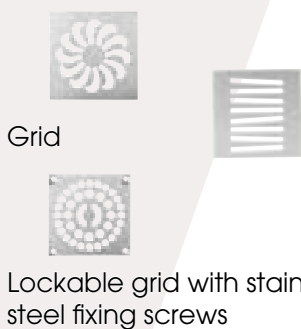
PRO PROGRAM

Veniso, floor trap for walk-in showers



Description	Product code	Code EAN
WITH STAINLESS STEEL GRID F40 - 1 1/2"	30718105	3375537180646
WITH TILEABLE GRID F40 - 1 1/2"	30718107	3375537180660
WITHOUT GRID F40 - 1 1/2"	30718109	3375537180684

Grid for walk-in showers



Description	Product code	Code EAN
Grid 150 x 150 mm	30718111 30718112	3375537180707 3375537180714
Lockable grid with stainless steel fixing screws	30718113	3375537180721

