

# WC FRAMES



wirquin

# CHRONO

WC FRAME CHRONO



BS 1212-4  
COMPLIANT



\*Flushing & Inlet Valve



› **INNOVATIVE TECHNOLOGY FOR A RECORD INSTALLATION TIME**



› **DURABLE METALLIC STRUCTURE:** Anti-corrosion coated steel, load tested to 400kg.



› **EASY SERVICING** large front access panel for ease of maintenance, access also possible from the rear for service duct installations.



› **INNOVATIVE INSULATION SYSTEM.** Double wall insulated tank.



› **SIMPLIFIED HEIGHT ADJUSTMENT** with an integrated braking system whilst keeping the feet in position.



› **RAPID PAN INSTALLATION.** No measurement or cutting of the flush pipe or pan connection.



› **TOOL FREE PLATE INSTALLATION.** Simple ratchet system to automatically adjust to the wall thickness.



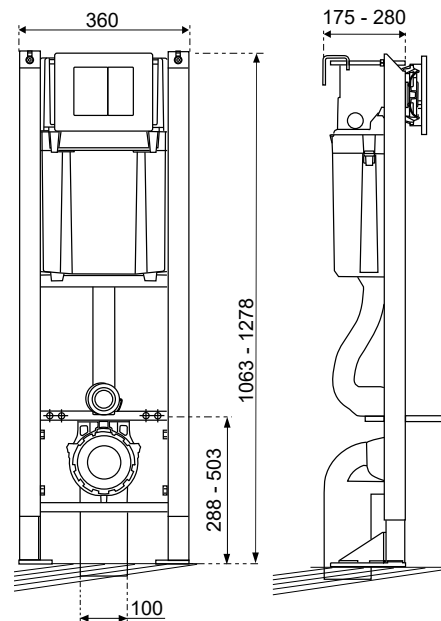
**WC FRAME**



**BS 1212-4  
COMPLIANT**



\*Flushing & Inlet Valve



Description	CHRONO FRAME ONLY
Reference	50120560
EAN code	5017134147544
Packaging	Box
Multiple / Pallet qty	01/12
Fixing	Universal
Pan centres	180mm or 230mm
Inlet valve	Jollyfill Air side entry delayed action inlet valve
Flush valve	Jollyflush dual flush valve
Water saving	Dual flush, 6/4l
Load tested	400kg
Wall thickness	13mm - 50mm
Accessories	Refer to page 71

# INITIO - 0.8m

WC FRAME INITIO-0.8M



BS 1212-4  
COMPLIANT



YEARS  
GUARANTEE  
10



\*Flushing & Inlet Valve



> A PERFECT SOLUTION FOR THE MOST COMPACT OF SPACES



> DURABLE METALLIC STRUCTURE: Lightweight and anti-corrosion coated steel, load tested to 400kg.



> EASY SERVICING large front access panel for ease of maintenance, access also possible from the rear for service duct installations.



> INNOVATIVE INSULATION SYSTEM. Double wall insulated tank.



> TOOL FREE PLATE INSTALLATION. Simple ratchet system to automatically adjust to the wall thickness.



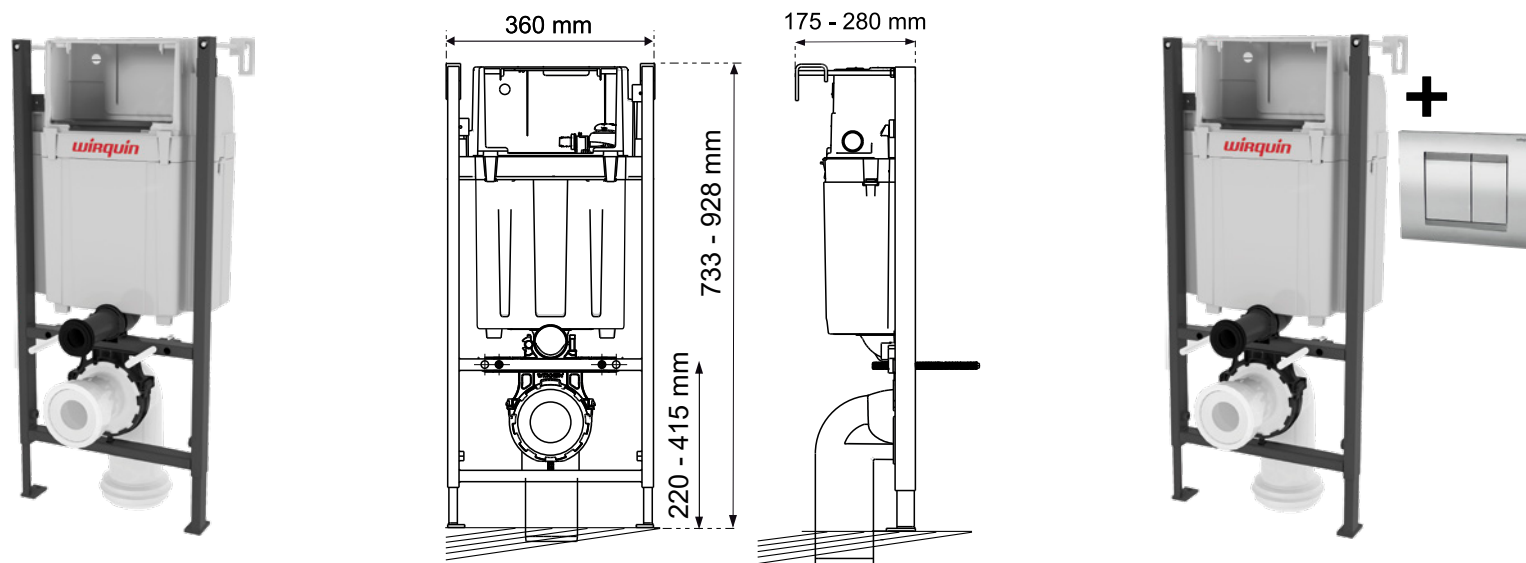
WC FRAME



BS 1212-4 COMPLIANT



\*Flushing & Inlet Valve



Description	INITIO 0.8M - FRAME ONLY	INITIO 0.8M FRAME - INC CHROME ESSENTIAL PLATE
Reference	50120511	50120558
EAN code	5017134147056	5017134147520
Packaging	Box	
Multiple / Pallet qty	01/15	
Fixing	Wall Hung	
Pan centres	180mm or 230mm	
Inlet valve	Jollyfill Air side entry delayed action inlet valve	
Flush valve	Jollyflush dual flush valve	
Water saving	Dual flush, 6/4l	
Load tested	400kg	
Wall thickness	13mm - 50mm	
Accessories	Refer to page 71	



# INITIO - 1m

WC FRAME INITIO-1M



BS 1212-4  
COMPLIANT



\*Flushing & Inlet Valve



> A PERFECT SOLUTION FOR THE MOST COMPACT OF SPACES



> DURABLE METALLIC STRUCTURE: Lightweight and anti-corrosion coated steel, load tested to 400kg.



> EASY SERVICING large front access panel for ease of maintenance, access also possible from the rear for service duct installations.



> INNOVATIVE INSULATION SYSTEM. Double wall insulated tank.



> TOOL FREE PLATE INSTALLATION. Simple ratchet system to automatically adjust to the wall thickness.



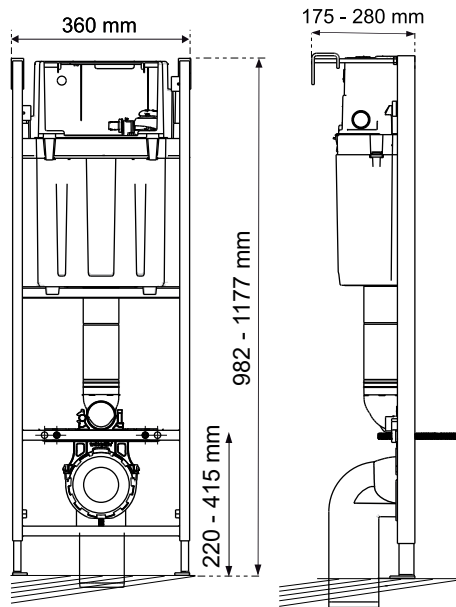
WC FRAME



BS 1212-4 COMPLIANT



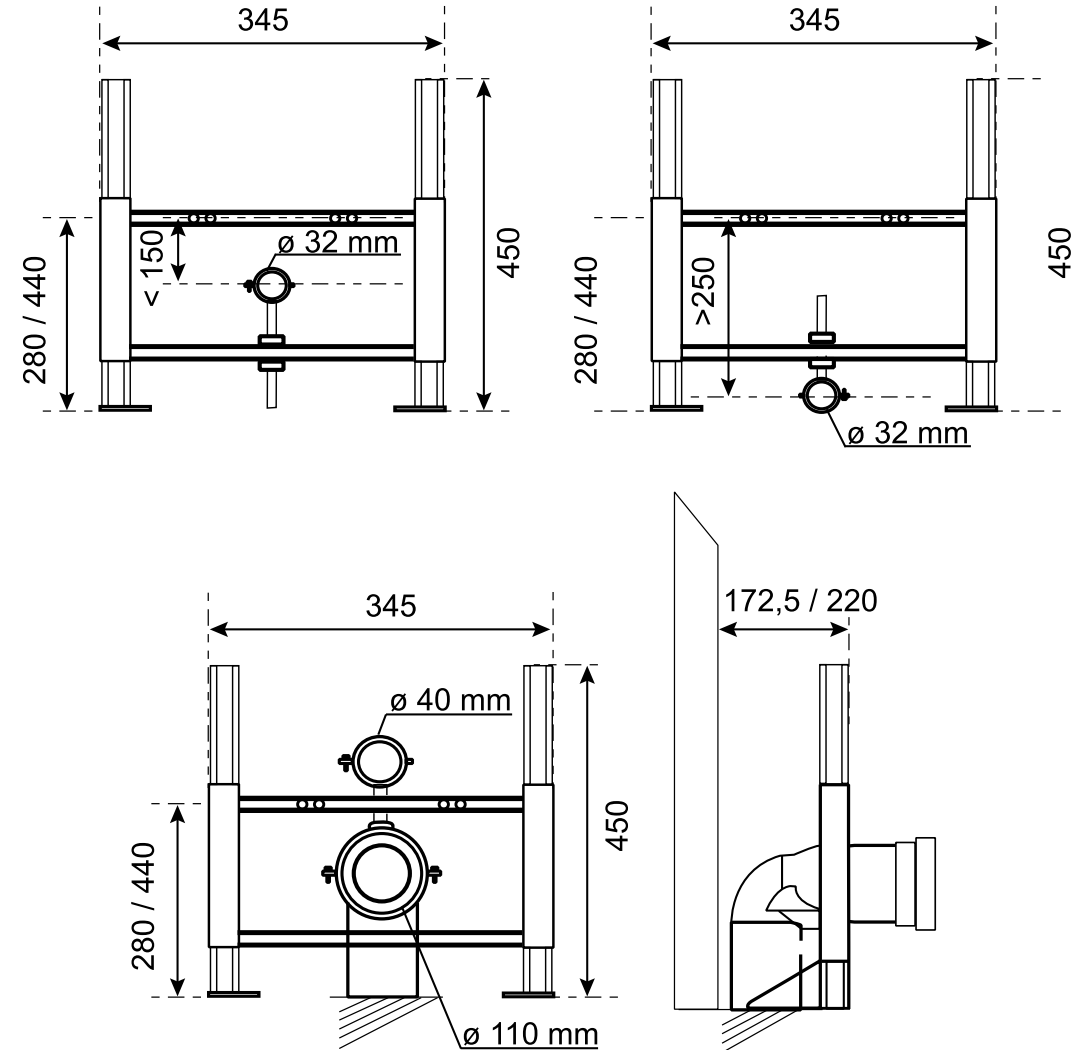
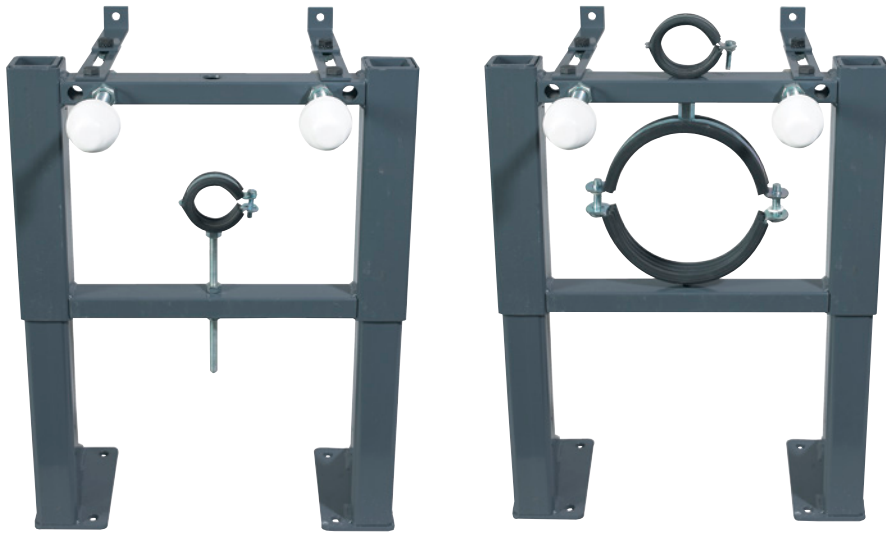
\*Flushing & Inlet Valve



Description	INITIO 1M - FRAME ONLY	INITIO 1M FRAME - INCL CHROME ESSENTIAL PLATE
Reference	50120565	50120559
EAN code	5017134147599	5017134147537
Packaging	Box	
Multiple / Pallet qty	01/12	
Fixing	Wall Hung	
Pan centres	180mm or 230mm	
Inlet valve	Jollyfill Air side entry delayed action inlet valve	
Flush valve	Jollyflush dual flush valve	
Water saving	Dual flush, 6/4l	
Load tested	400kg	
Wall thickness	13mm - 60mm	
Accessories	Refer to page 71	

# 2 IN 1 FRAME

## WC FRAME 2 IN 1: WC & BIDET FRAME



Description	LOW LEVEL WC & BIDET FRAME
Reference	50717863
EAN code	3375537178292
Packaging	Box
Multiple / pallet quantity	01/78
Fixing	Wall & floor
Load tested to	400kg
Application	Suitable for 400mm furniture units



PLATES

ESSENTIAL

DESIGN

HOOPS



Description	<b>Shiny White</b>
Reference	<b>55720347</b>
EAN code	3375537202720
Packaging	Box
Multiple / boxed quantity	01/30
Water saving	Dual Flush



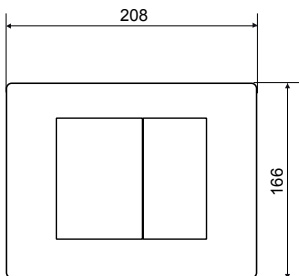
Description	<b>Matt Chrome</b>
Reference	<b>55720349</b>
EAN code	3375537202744
Packaging	Box
Multiple / boxed quantity	01/30
Water saving	Dual Flush



Description	<b>Shiny Chrome</b>
Reference	<b>55950009</b>
EAN code	6425366002460
Packaging	Box
Multiple / boxed quantity	01/30
Water saving	Dual Flush



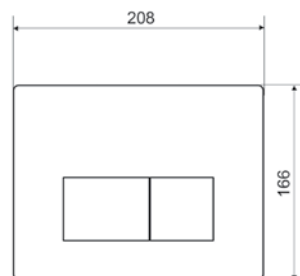
Description	<b>Matt Black</b>
Reference	<b>55722889</b>
EAN code	3375537227716
Packaging	Box
Multiple / boxed quantity	01/30
Water saving	Dual Flush



Description	<b>Shiny White</b>
Reference	<b>55720350</b>
EAN code	3375537202751
Packaging	Box
Multiple / boxed quantity	01/30
Water saving	Dual Flush



Description	<b>Brushed Aluminium</b>
Reference	<b>55720351</b>
EAN code	3375537202768
Packaging	Box
Multiple / boxed quantity	01/30
Water saving	Dual Flush



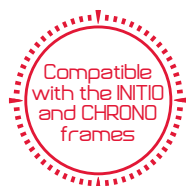
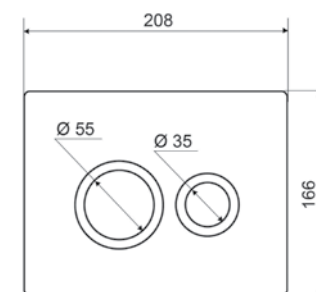
Description	<b>Shiny White</b>
Reference	<b>55721304</b>
EAN code	3375537212330
Packaging	Box
Multiple / boxed quantity	01/30
Water saving	Dual Flush



Description	<b>Brushed Aluminium</b>
Reference	<b>55721305</b>
EAN code	3375537212347
Packaging	Box
Multiple / boxed quantity	01/06
Water saving	Dual Flush



Description	<b>Matt Black</b>
Reference	<b>55721306</b>
EAN code	3375537212354
Packaging	Box
Multiple / boxed quantity	01/06
Water saving	Dual Flush



► Suitable for both domestic and commercial applications



www.wirquin.co.uk

 WirquinLtd
  WirquinLtd
  WirquinLtd
  WirquinLtd UK